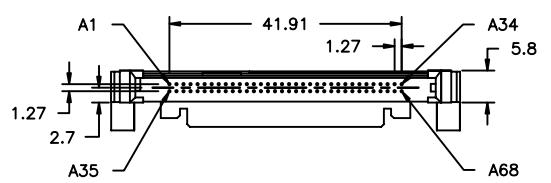
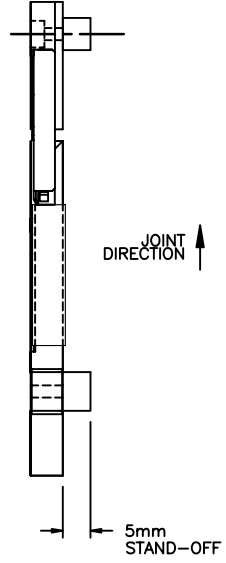
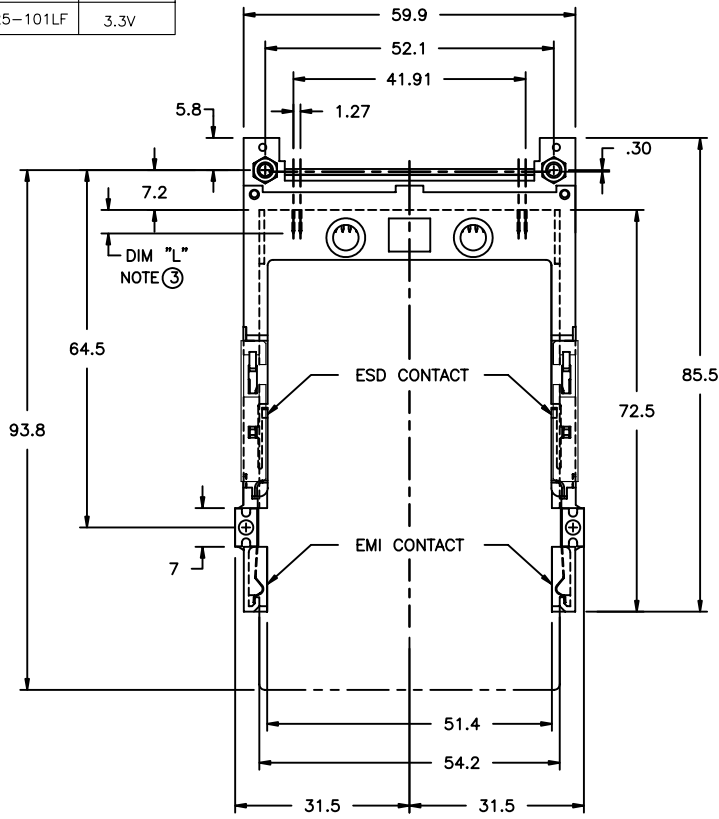


PRODUCT NO.	NOTE
72325-001	5.0V
72325-001LF	5.0V
72325-101	3.3V
72325-101LF	3.3V



NOTES:

- HEADER ASSY**
 PLASTIC: HOUSING - LCP UL94V-0 BLACK - ABOVE PCB
 PIN: PHOSPHOR BRONZE

GUIDE MECHANISM ASSY
 PLASTIC: GUIDE - POLYPHTHARAMID UL94V-0 BLACK
 COVER PLATE: STAINLESS STEEL
 EMI CONTACT: PHOSPHOR BRONZE
- FINISH - PIN**
 UNDER PLATING: 0.5um Ni
 CONTACT AREA: 0.1um GOLD OVER
 0.5um Pd-Ni
 SOLDER TAIL(TIN LEAD OPTION): 2.5um Sn-Pb
 SOLDER TAIL(LEAD FREE OPTION): 2.5um PURE TIN
- DIM "L"**

4.25±.1	3.5±.1	5.0±.1
OTHERS	36,67	1,17,34,35,51,68
- RECOMMENDED HOLD DOWN - 2mm SCREWS**
 95121 AND 2mm NUTS 92869.
 SEE FOR CHARTED INFORMATION.
 RECOMMENDED SCREW TORQUE: 1.0 TO 1.5 MAX in-lbs. (1.2-1.7 cm-kgs).
- SEE TA-1052 FOR PCB LAYOUT.
- MATING CONNECTOR: 91931-31169. MUST BE PURCHASED SEPARATELY.**
- IF LEAD FREE P.N.THE HOUSING WILL WITHSTAND EXPOSURE TO 260°C PEAK TEMPERATURE FOR 10 SECONDS IN A WAVE SOLDER APPLICATION WITH A 1.00MM MINIMUM THICK CIRCUIT BOARD.
- IF LEAD FREE P/N.THE PRODUCT MEETS EUROPEAN UNION DIRECTIVES AND OTHER COUNTRY REGULATIONS AS DESCRIBED IN GS-22-008
- LEAD FREE P/N PACKAGING MEETS GS-14-920 SPECIFICATION

mat'l. code		tolerances unless otherwise specified			CUSTOMER COPY		Electronics FCI www.fciconnect.com	
ltr	ecn no	dr	date	linear	.XX±.13	projection	title	
A	V61093	RHG	8/16/96		.XXX±.051		EJECTOR HEADER ASSEMBLY	
B	V61704	RHG	6/18/97	angles	0° ±2'		68 POS. SMT TYPE 123	
C	V80260	RHG	2/17/98				product family	MCS
D	V92135	CGC	11/16/99	dr	R.GRAPE		8/16/96	code
E	V12231	TFG	9/19/01	engr	D.BRANN	8/16/96	size	dwg no
F	V05-0302	W B	04/21/05	chr	D.BRANN	8/16/96	scale	1:1
G	N05-0116	W B	04/27/05	appd	D.BRANN	8/16/96	A4	72325
sheet	revision	G	G	G	G	G		
index	sheet	1	2	3	4	5		

Tous droits strictement reserves. Reproduction ou communication a des tiers interdite sous quelque forme que ce soit sans autorisation ecrite du proprietaire. Propriete de c FCI. Droits de reproduction FCI.

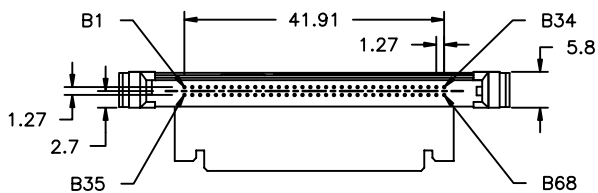
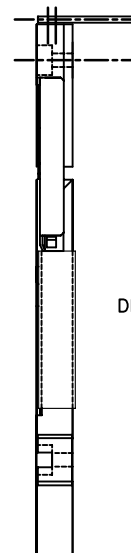
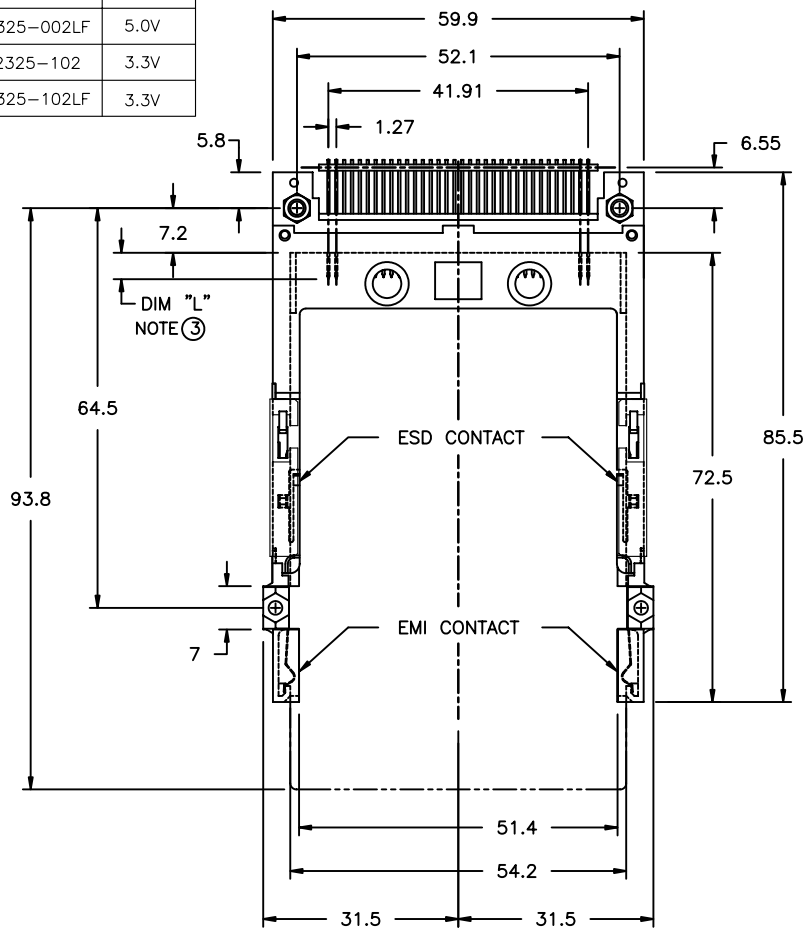
All rights strictly reserved. Reproduction or issue to third parties in any form whatever is not permitted without written authority from the proprietor. Property of FCI. Copyright FCI.

All rights strictly reserved. Reproduction or issue to third parties in any form whatever is not permitted without written authority from the proprietor. Property of FCI. Copyright FCI.

Tous droits strictement reserves. Reproduction ou communication a des tiers interdite sous quelque forme que ce soit sans autorisation écrite du propriétaire. Propriete de c FCI. Droits de reproduction FCI.



PRODUCT NO.	NOTE
72325-002	5.0V
72325-002LF	5.0V
72325-102	3.3V
72325-102LF	3.3V

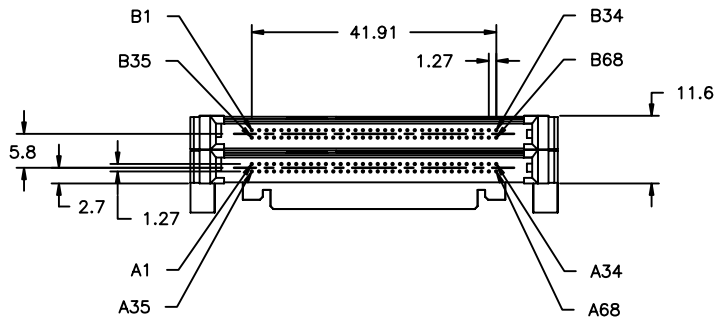
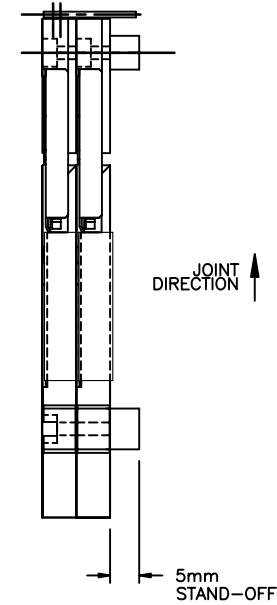
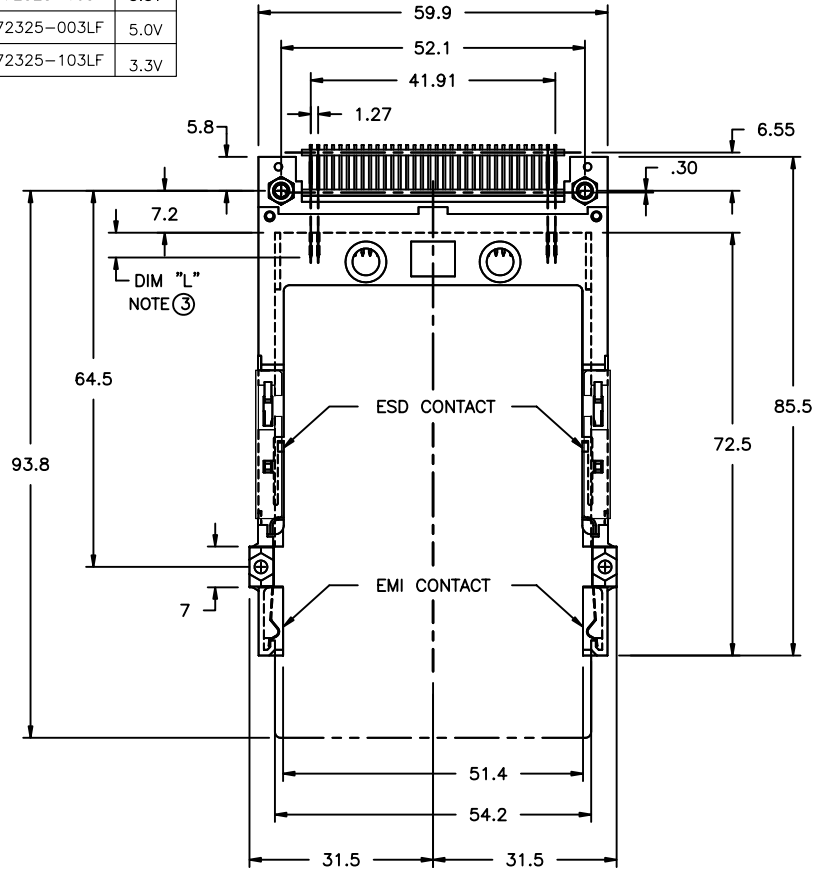


mat'l. code				tolerances unless otherwise specified		CUSTOMER COPY	Electronics www.fciconnect.com	
ltr	ecn no	dr	date	linear	.X±.3		projection	title
G						.XX±.13		
				angles	.XXX±.051		68 POS. SMT TYPE 123	
				dr	0° ±2'	MM	product family MCS	
				enr	R.GRAPE 8/16/96		scale	size
				chr	D.BRANN 8/16/96	1:1		A4
				appd	D.BRANN 8/16/96			72325
sheet index	revision sheet						cage code	

All rights strictly reserved. Reproduction or issue to third parties in any form whatever is not permitted without written authority from the proprietor. Property of FCI. Copyright FCI.

Tous droits strictement reserves. Reproduction ou communication a des tiers interdite sous quelque forme que ce soit sans autorisation ecrite du proprietaire. Propriete de c FCI. Droits de reproduction FCI.

PRODUCT NO.	NOTE
72325-003	5.0V
72325-103	3.3V
72325-003LF	5.0V
72325-103LF	3.3V



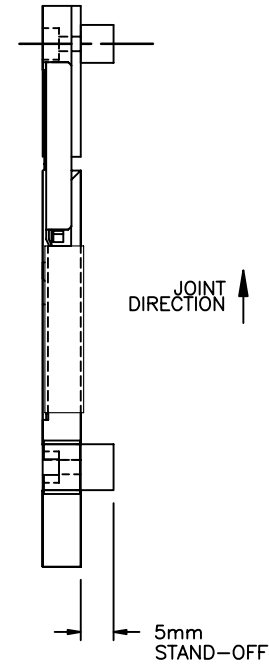
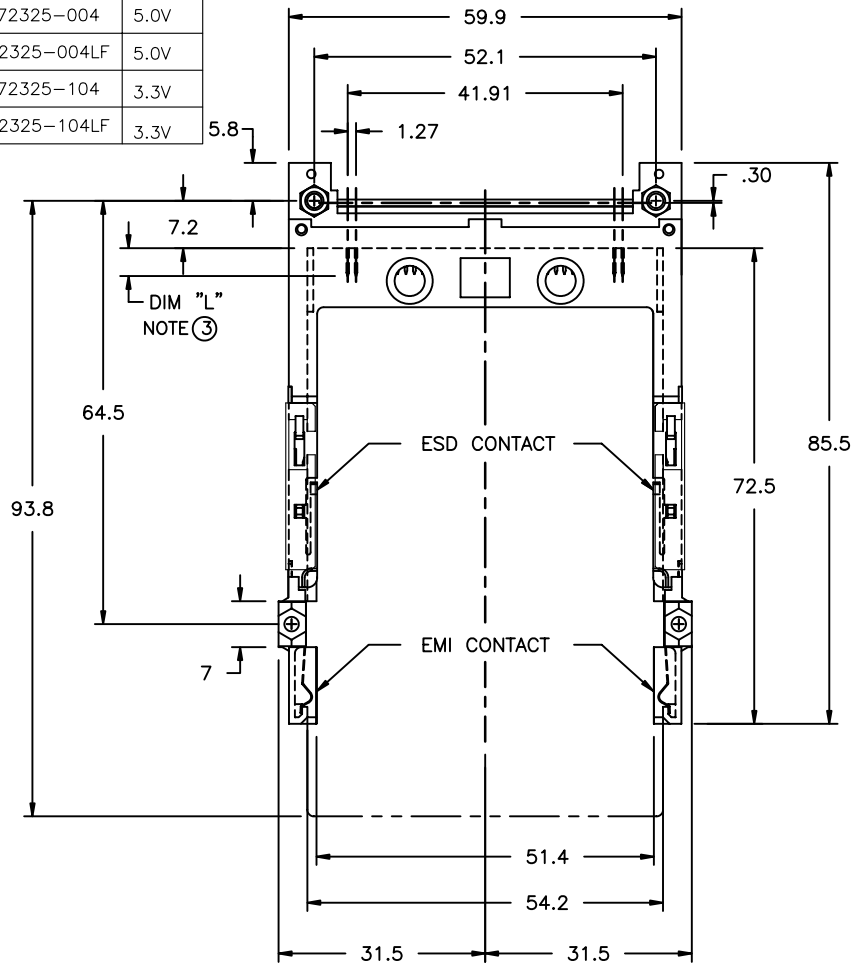
NOTE:
TA-1052, PAGE 1, FOR PCB LAYOUT.

mat'l. code				tolerances unless otherwise specified			CUSTOMER COPY		FCI Electronics www.fciconnect.com	
ltr	ecn no	dr	date	linear	.X±.3		projection	title EJECTOR HEADER ASSEMBLY 68 POS. SMT TYPE 123		
G					.XX±.13					
					.XXX±.051					
				angles	0° ±2'		 MM scale 1:1	product family MCS		code
				dr	R.GRAPE	8/16/96		size		—
				enr	D.BRANN	8/16/96		dwg no		—
				chr	D.BRANN	8/16/96		A4		sheet 3 of
				appd	D.BRANN	8/16/96		72325		
sheet index	revision sheet									

Tous droits strictement reserves. Reproduction ou communication a des tiers interdite sous quelque forme que ce soit sans autorisation ecrite du proprietaire. Propriete de c FCI. Droits de reproduction FCI.

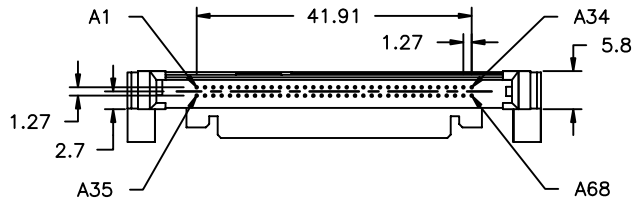
All rights strictly reserved. Reproduction or issue to third parties in any form whatever is not permitted without written authority from the proprietor. Property of FCI. Copyright FCI.

PRODUCT NO.	NOTE
72325-004	5.0V
72325-004LF	5.0V
72325-104	3.3V
72325-104LF	3.3V



NOTE:

TA-1052, PAGE 3, FOR PCB LAYOUT.

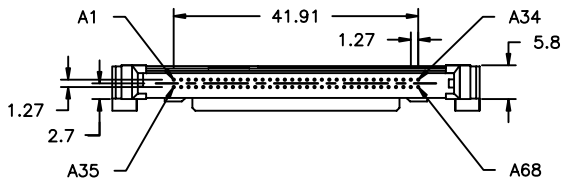
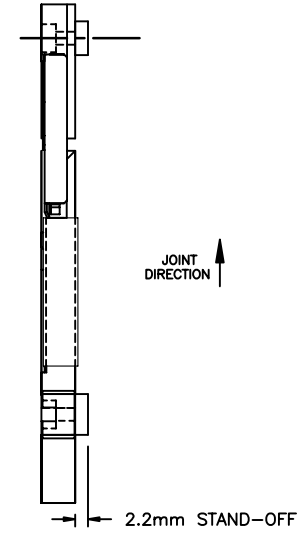
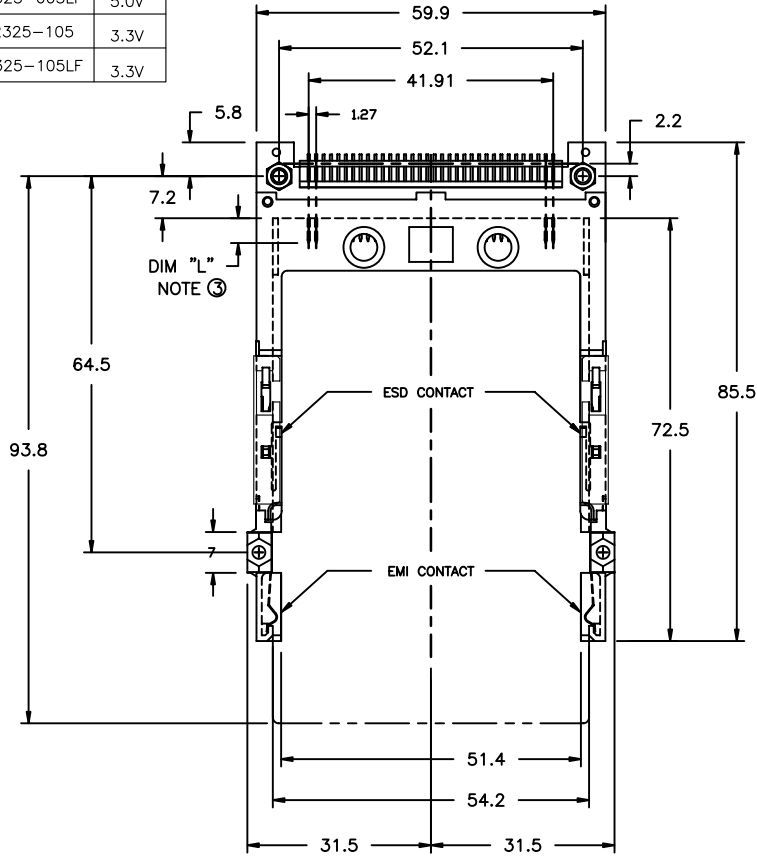


mat'l. code				tolerances unless otherwise specified		CUSTOMER COPY	 FCI www.fciconnect.com
ltr	ecn no	dr	date	linear	.X±.3		
G				angles	.XX±.13	 MM	EJECTOR HEADER ASSEMBLY
				dr	.XXX±.051		product family
				enr	0° ±2'	scale	MCS
				chr		1:1	code
				appd		A4	—
sheet index	revision sheet						size
							72325
							sheet
							4 of

All rights strictly reserved. Reproduction or issue to third parties in any form whatever is not permitted without written authority from the proprietor. Property of FCI. Copyright FCI.

Tous droits strictement reserves. Reproduction ou communication a des tiers interdite sous quelque forme que ce soit sans autorisation ecrite du proprietaire. Propriete de c FCI. Droits de reproduction FCI.

PRODUCT NO.	NOTE
72325-005	5.0V
72325-005LF	5.0V
72325-105	3.3V
72325-105LF	3.3V



NOTE:

TA-1052, PAGE 3, FOR PCB LAYOUT.

mat'l. code				tolerances unless otherwise specified		CUSTOMER COPY	FCI Electronics		
ltr	ecn no	dr	date	linear	.X±.3		projection	www.fciconnect.com	
G				angles	.XX±.13			title	
					.XXX±.051			EJECTOR HEADER ASSEMBLY	
				dr	G.CLEMENS	11/16/99		product family	
				enr	D.BRANN	11/16/99		MCS	
				chr	D.BRANN	11/16/99		code	
				appd	D.BRANN	11/16/99		-	
sheet index		revision sheet		scale		1:1	size		
				A4		72325		sheet 5 of	